

Scofield at REMAINS LIGHTING

ENGLISH GAS EXTERIOR WALL LANTERN MEDIUM

Developed in London in the late 18th century, gas lighting quickly spread to American cities. Gas light technology arrived in Baltimore city in 1816 and was first introduced to private residences by a Philadelphia coppersmith. Inspired by a hanging lantern found in Birmingham, England, early 19th century.

DIMENSIONS:

Overall: 25-3/4" h. x 16-1/2" w. x 18-1/2" d.

LAMPING:

Single Edison socket, maximum 100 watts
Also available with 3 Candelabra socket

OPTIONS:

Please specify curved or straight chimney. Supplied on a yoke bracket; wing or gooseneck brackets and additional glass options available.

For other configurations and sizes, see our English Gas Family.

See our Scofield options sheet for selections

JUNCTION BOX:

2" x 3" Vertical junction box

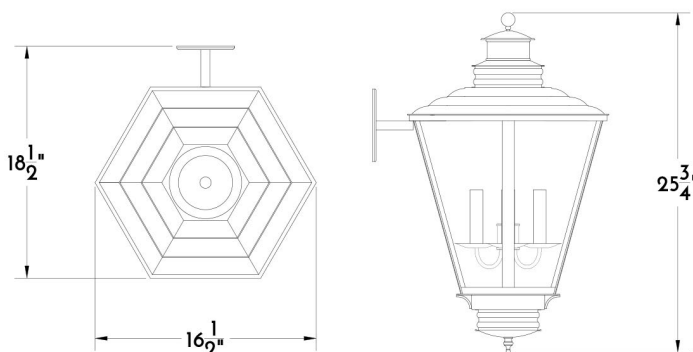



AVAILABLE FINISHES

natural copper

bronzed copper

oxidized copper



 UL listed for use in dry, damp, or wet environments.