

Scofield at REMAINS LIGHTING

NEW ENGLAND ONION EXTERIOR HANGING LANTERN SMALL

Originally fueled by whale oil, this type of lantern was frequently associated with maritime use. Featuring clear hand-blown glass. New England, circa 1830. Designed by Scofield. Shown in Bronzed Copper.

DIMENSIONS:

Minimum height: 20-1/2"
Overall: 11" diameter

LAMPING:

Single Edison socket, maximum 100 watts
Also available with single Candelabra socket

OPTIONS:

Supplied on chain. Hanging hook available. Also available without a cage.
For other configurations and sizes, see our New England Onion Family.
See our Scofield options sheet for selections

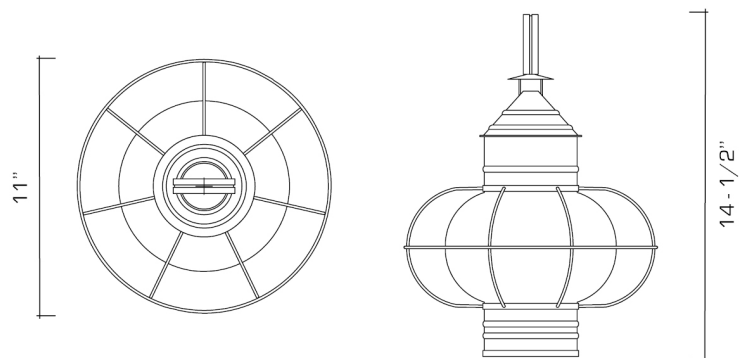



AVAILABLE FINISHES

natural copper

bronzed copper

oxidized copper



 UL listed for use in dry, damp, or wet environments.