



# REMAINS LIGHTING

PERMANENT COLLECTION

## ERIC MIRROR

The Eric's mirror is held in a clean bronze frame, with jewelry-cast corners featuring traditional, tailored covers and delicate steps. Shown in Dark Waxed Bronze.

### DIMENSIONS:

Overall: 26" h. x 20" w. x 1" d.

Mounting Type: d rings

Specify portrait or landscape orientation.

### OPTIONS:

Additional standard sizes:

32"H. x 22" W. x 1" D.

38"H. x 26" W. x 1" D.

Also available in custom sizes.

For other configurations and sizes, see our Eric Family.

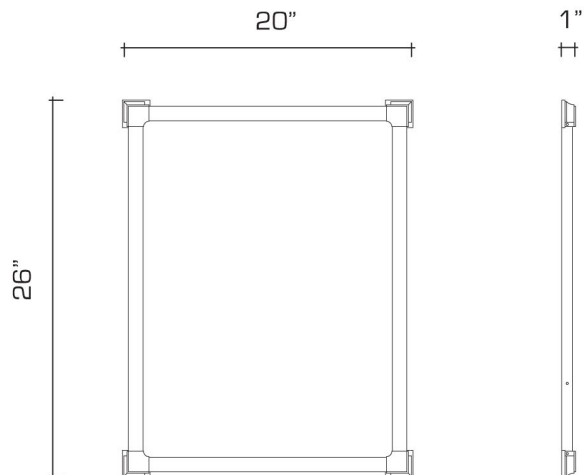


## AVAILABLE FINISHES

polished bronze

burnished nickel, dark waxed bronze, polished nickel, burnished bronze

dark pewter, german silver, light pewter, antique bronze, oil rubbed bronze, satin nickel



Manufactured using 85% recycled brass