



# REMAINS LIGHTING

PERMANENT COLLECTION

## EDWARD TWIN SCONCE

A turned and cut brass torchiere sconce with a double banded column and chamfered octagonal backplate.

Shown in Oil Rubbed Bronze.

### DIMENSIONS:

Overall: 9" h. x 7-1/4" w. x 4" d.

Backplate: 4-5/8" h. x 4-5/8" w.

### LAMPING:

2 candelabra sockets, maximum 60 watts per socket

### OPTIONS:

For other configurations and sizes, see our Tess Family.

### JUNCTION BOX:

2" x 3" vertical junction box recommended

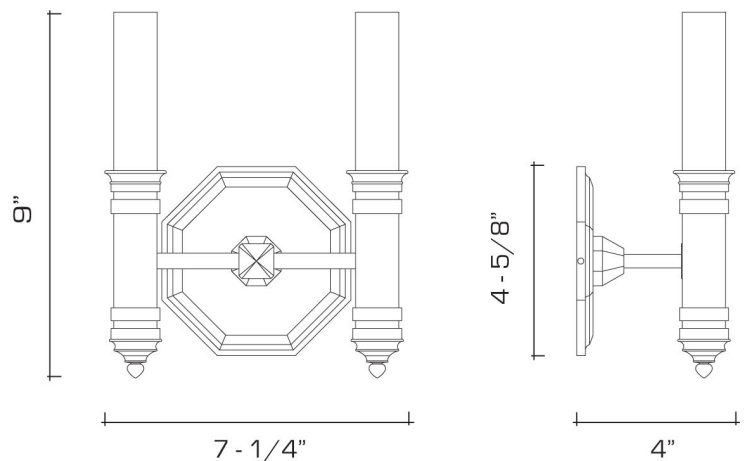



## AVAILABLE FINISHES


polished brass

burnished brass, burnished nickel, dark waxed bronze, polished nickel

dark pewter, german silver, light pewter, antique brass, oil rubbed bronze, satin nickel



 UL listed for use in dry environments

 Manufactured using 98% recycled brass