



REMAINS LIGHTING

PERMANENT COLLECTION

ELIZABETH SCONCE

On this tailored, yet solidly proportioned fixture a ribbed arm emerges from a banded ferrule to connect the crisply scalloped backplate and waxpan. Inspired by a 16th-century London charger.

Shown in Dark Waxed Bronze.

DIMENSIONS:

Overall: 7-1/4" h. x 6" w. x 6" d.

Backplate: 6" h. x 6" w.

LAMPING:

Single candelabra socket, maximum 60 watts

Also available with single Edison or GU24 socket

OPTIONS:

For other configurations and sizes, see our Elizabeth Family.

JUNCTION BOX:

2" x 3" vertical junction box recommended

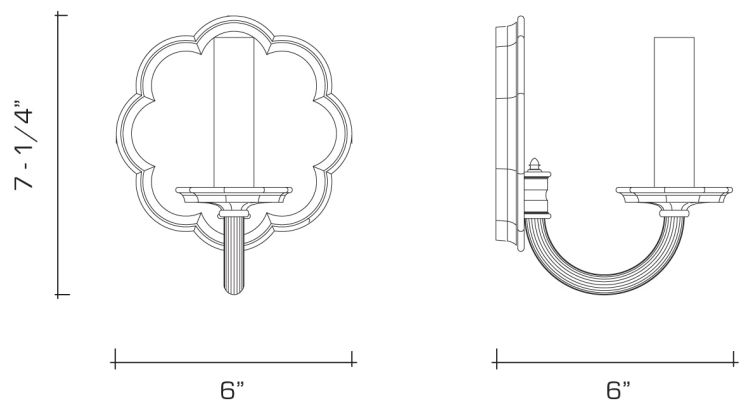



AVAILABLE FINISHES


polished brass

burnished brass, burnished nickel, dark waxed bronze, polished nickel

dark pewter, german silver, light pewter, antique brass, oil rubbed bronze, satin nickel



 UL listed for use in dry environments

 Manufactured using 85% recycled brass