



CAN EXTERIOR WALL DOWNLIGHT

A utilitarian design with luxurious materials: each fixture is handcrafted to order in solid heavy brass, with a simple cylindrical body, connected to a coped round arm and backplate with slotted countersunk screws.

Shown in Polished Brass.

DIMENSIONS:

Overall: 10" h. x 4" w. x 7-1/8" d.

Backplate: 4" diameter

Shade: 4" diameter

LAMPING:

Single Edison socket, maximum 100 watts

Also available with GU24 sockets

OPTIONS:

Supplied with "slash" pierced shade; a solid brass shade is also available.

For other configurations and sizes, see our Slash Family.

JUNCTION BOX:

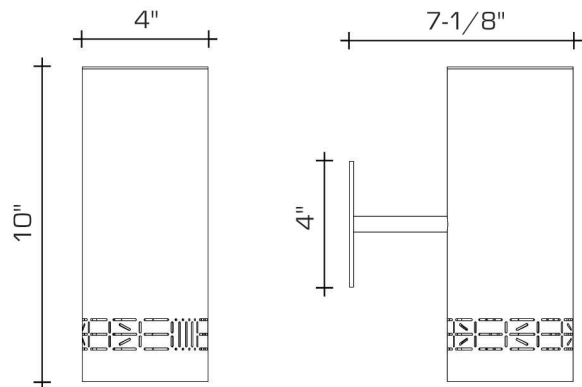
2" x 3" Vertical junction box recommended



AVAILABLE FINISHES

polished brass

polished copper, dark waxed bronze, polished nickel



UL listed for use in dry, damp, or wet environments.



Manufactured using 90% recycled brass