



# REMAINS LIGHTING

## PERMANENT COLLECTION

### PHILIP MIRROR

The Philip's bronze frame is a progression of classical covers and steps with a deep setback where it engages the mirror. The legs of the frame are held together with pairs of bold expressed fasteners.

Shown in Polished Bronze.

### DIMENSIONS:

Overall: 25-3/4" h. x 19-3/4" w. x 1-3/4" d.

Mounting Type: D rings

Specify portrait or landscape orientation.

### OPTIONS:

Additional standard sizes:

31-3/4" h. x 21-3/4" w. x 1-3/4" d.

37-3/4" h. x 25-3/4" w. x 1-3/4" d.

Also available in custom sizes.

For other configurations and sizes, see our Philip Family.

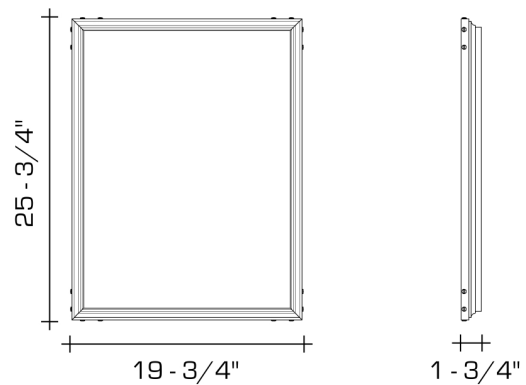


### AVAILABLE FINISHES

polished brass

burnished brass, dark waxed bronze, polished nickel, burnished nickel

antique brass, oil rubbed bronze, satin nickel, light pewter, german silver, dark pewter



Manufactured using 90% recycled brass