



REMAINS LIGHTING

PERMANENT COLLECTION

VERONIQUE UNEVEN SCONCE WITH GLASS SHADES

Inspired by classic French Moderne designs, the Veronique family embraces pure, sleek, simple forms. Here, from the circular backplate, slim arms flare into the bells of the candle cups, finished with delicately tapered clear glass shades. Shown in Burnished Brass.

DIMENSIONS:

Overall: 17-7/8" h. x 10-1/4" w. x 3-5/8" d.

Backplate: 4-1/4" diameter

Glass: 6-1/2" h. x 3-1/2" diameter

LAMPING:

2 candelabra sockets, maximum 60 watts per socket

OPTIONS:

Specify tall arm facing left or facing right.

Available with white glass.

For other configurations and sizes, see our Veronique Family.

JUNCTION BOX:

2" x 3" vertical junction box required

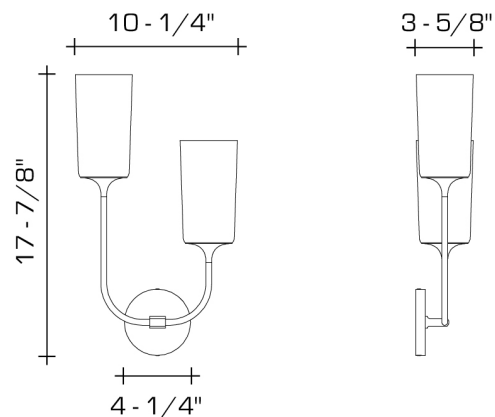



AVAILABLE FINISHES


polished brass

burnished brass, burnished nickel, dark waxed bronze, polished nickel

dark pewter, german silver, light pewter, antique brass, oil rubbed bronze, satin nickel



 UL listed for use in dry environments

 Manufactured using 95% recycled brass