

# REMAINS LIGHTING

PERMANENT COLLECTION

## MERCER 36 EXTERIOR LANTERN

Inspired by stable windows seen in the Pennsylvania countryside, the large scale Mercer lantern uses traditional, spare architectural profiles and clean expressed joinery. Shown in Dark Waxed Bronze.

### DIMENSIONS:

Minimum height: 45-1/2"

Body: 36-3/4" h. x 24-1/2" w. x 24-1/2" d.

### LAMPING:

4 Edison sockets, maximum 75 watts per socket  
Also available with 4 GU24 sockets (frosted glass recommended)

### OPTIONS:

Several glass variations available. Optional bottom door also available.

For other configurations and sizes, see our Mercer Family.

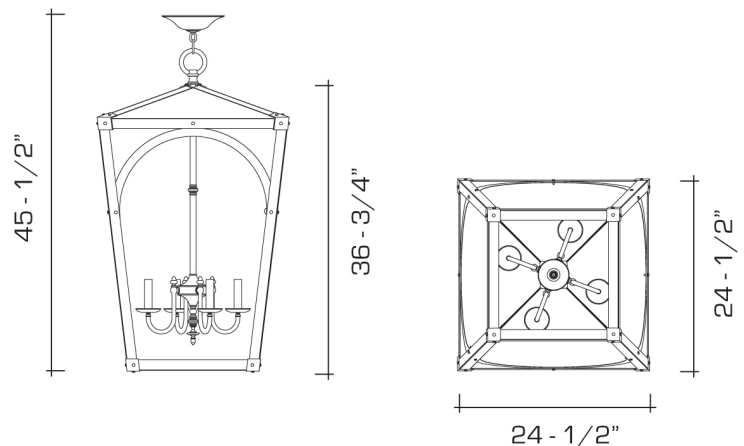



## AVAILABLE FINISHES

polished brass

polished nickel, dark waxed bronze, burnished brass, burnished nickel

dark pewter, german silver, light pewter, antique brass, oil rubbed bronze, satin nickel, verdigris



 UL listed for use in dry, damp, or wet environments.

 Manufactured using 85% recycled brass